

## PVC-U SINGLE UNION VALVE (THREAD)

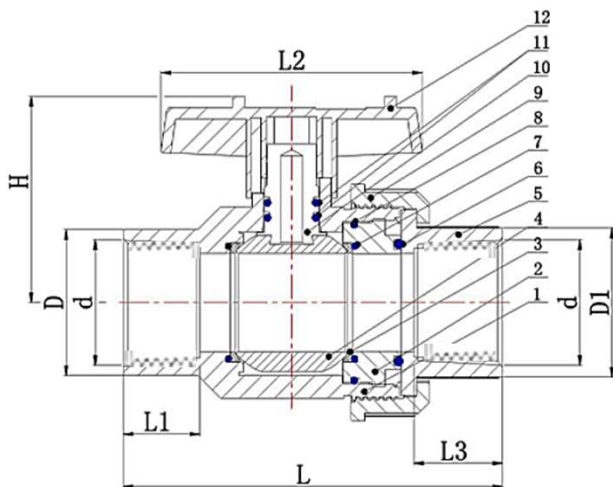
Product No.: **V08-1**

Product STD: **ASTM GB**

Body CLR:

Handle CLR:

Description: PVC-U SINGLE UNION BALL VALVE (THREAD)



NO.	PART	MATERIAL	QTY	NO.	PART	MATERIAL	QTY
1	Body	PVC	1	7	O-Ring	NBR	2
2	Seat Carrier	PVC	1	8	O-Ring	NBR	1
3	Seat seal	PTFE	2	9	Union Nut	PVC	1
4	Ball	PVC	1	10	Stem	PVC	1
5	End Connector	PVC	1	11	Stem O-ring	NBR	2
6	O-Ring	NBR	1	12	Handle	ABS	1

size (mm)	NPT Thd. / in	BSPT Thd. / in	d	D (mm)	D1 (mm)	H (mm)	L2 (mm)	L1 (mm)	L3 (mm)	L (mm)
15(1/2")	14	14	1/2"	28.5	29	53.5	64	21	23	97
20(3/4")	14	14	3/4"	34	36	59	79.5	25	25	112
25(1")	11.5	11	1"	41	43	68	84	27.5	27.5	126
32(1-1/4")	11.5	11	1-1/4"	52	53	79	96	28.5	28.5	141
40(1-1/2")	11.5	11	1-1/2"	60.5	62	83.5	116	29	29	167
50(2")	11.5	11	2"	72	77	104	132	30	30	192
65(2-1/2")	8	11	3-1/2"	88	90	124.5	130	44	43	195.3
80(3")	8	11	3"	106.5	106	153	175	51.5	51.5	234.5